

DESCRIPTION

AMC MODEL SWN-AKG-1DR-12X-LVT IS A REFLECTIVE SINGLE POLE SINGLE THROW SWITCH WITH HIGH SPEED, VERY HIGH ISOLATION, LOW VIDEO TRANSIENTS DESIGNED TO OPERATE OVER THE FULL 0.5 TO 18 GHz FREQUENCY RANGE.

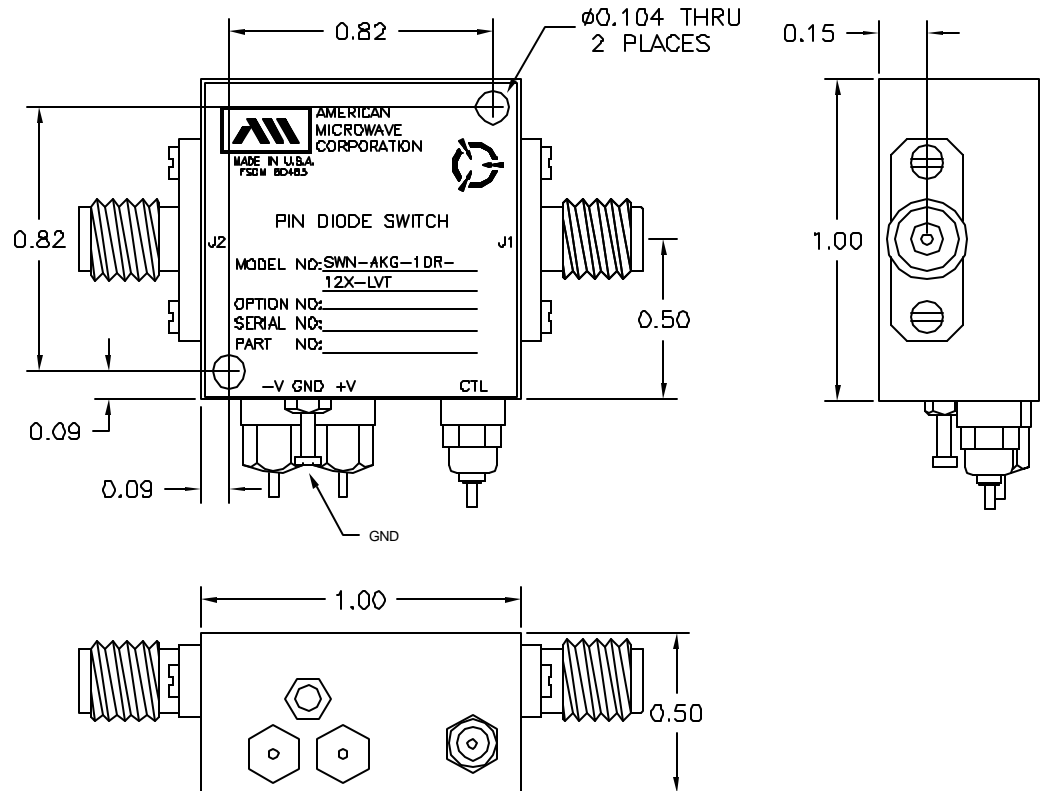
SPECIFICATIONS

- FREQUENCY RANGE: 0.5 TO 18 GHz
- INSERTION LOSS: 3.5 dB MAXIMUM
- ISOLATION: 80 dB MINIMUM
- VSWR: 2.0:1
- RISE TIME: 3 nSec MAXIMUM
- FALL TIME: 5 nSec MAXIMUM
- DELAY ON: 25 nSec MAXIMUM
- DELAY OFF: 35 nSec MAXIMUM
- POWER INPUT: (CW)+20 dBm (STANDARD),
+10 dBm (HIGH SPEED)
- SURVIVAL POWER: 1 WATT CW, 10 WATTS PEAK 1 uSec
- CONTROL: TTL LOGIC "0" = OFF
TTL LOGIC "1" = ON
- VIDEO TRANSIENTS: 85 mV P-P @ 200 MHz BANDWIDTH
315 mV P-P @ 300 MHz BANDWIDTH
- POWER SUPPLY: +5V @ 60 mA MAXIMUM
-5V @ 60 mA MAXIMUM
- CONNECTORS:
RF: SMA FEMALE
CONTROL: SOLDER PIN
- SIZE: 1.00" (L) x 1.00" (W) x 0.50" (H)
- WEIGHT: 1.5 OUNCE TYPICAL

ENVIRONMENTAL RATINGS:

- TEMPERATURE: -55°C TO +85°C (OPERATING)
-65°C TO +125°C (STORAGE)
- HUMIDITY: MIL-STD-202F, METHOD 103B COND. B
- SHOCK: MIL-STD-202F, METHOD 213B COND. B
- VIBRATION: MIL-STD-202F, METHOD 204D COND. B
- ALTITUDE: MIL-STD-202F, METHOD 105C COND. B
- TEMPERATURE CYCLE: MIL-STD-202F, METHOD 107D COND. A

NOTE: SPECIFICATIONS WILL VARY OVER OPERATING TEMPERATURE
NOTE: THE ABOVE SPECIFICATIONS ARE SUBJECT TO CHANGE OR REVISION



ALL DIMENSIONS ARE IN INCHES
TOLERANCES:
XXX ±0.020
XXX ±0.010

REVISIONS				
ZONE	REV.	DESCRIPTION	DATE	APPROVED
	-	ORIGINAL RELEASE JOB# 511263	1/8/08	

AMERICAN MICROWAVE CORPORATION

7311-G GROVE ROAD
FREDERICK, MARYLAND 21704 USA
TEL: 301-662-4700 FAX: 301-662-4938
WEBSITE: www.americanmicrowavecorp.com
E-MAIL: sales@americanmicrowavecorp.com
ISO 9001:2000 CERTIFIED

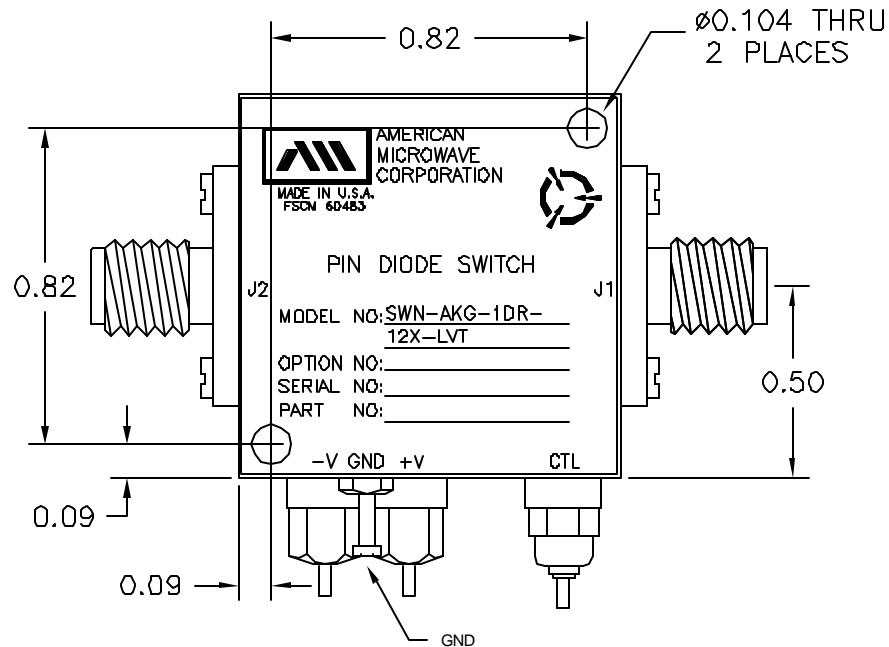


APPROVALS		DATE	TITLE		REV.
DRAWN	<i>[Signature]</i>	1/9/08	PRODUCT FEATURE		
CHECKED			SWN-AKG-1DR-12X-LVT		
ISSUED			0.5-18 GHz, SINGLE POLE SINGLE THROW SWITCH		
			SIZE	FSCM NO.	DWG NO.
			A	60483	100-7576
			SCALE	N:S	SHEET 1 OF 4

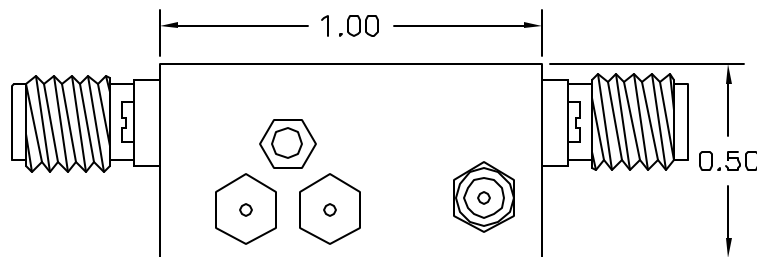
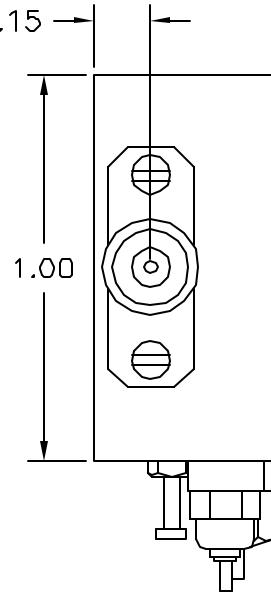
DESCRIPTION

AMC MODEL SWN-AKG-1DR-12X-LVT IS A REFLECTIVE SINGLE POLE SINGLE THROW SWITCH WITH HIGH SPEED, VERY HIGH ISOLATION, LOW VIDEO TRANSIENTS DESIGNED TO OPERATE OVER THE FULL 0.5 TO 18 GHz FREQUENCY RANGE.

REVISIONS				
ZONE	REV.	DESCRIPTION	DATE	APPROVED
	-	ORIGINAL RELEASE JOB# 511263	1/8/08	



MECHANICAL OUTLINE



ALL DIMENSIONS ARE IN INCHES
TOLERANCES:
X.XX ±0.020
X.XXX ±0.010

AMERICAN MICROWAVE CORPORATION

7311-G GROVE ROAD
FREDERICK, MARYLAND 21704 USA
TEL: 301-662-4700 FAX: 301-662-4938
WEBSITE: www.americanmicrowavecorp.com
E-MAIL: sales@americanmicrowavecorp.com
ISO 9001:2000 CERTIFIED



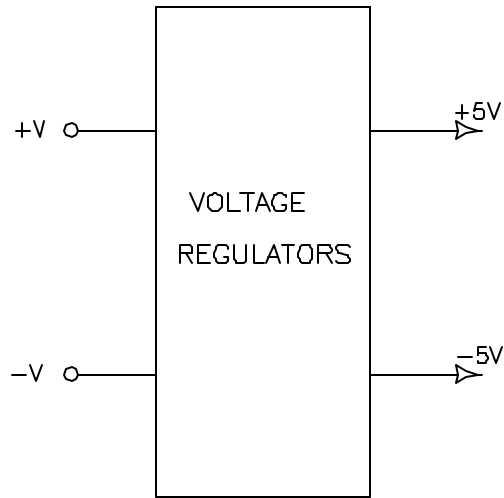
APPROVALS		DATE	TITLE		
DRAWN	<i>FDS</i>	1/9/08	MECHANICAL OUTLINE		
CHECKED			SWN-AKG-1DR-12X-LVT		
ISSUED			0.5-18 GHz, SINGLE POLE SINGLE THROW SWITCH		
			SIZE	FSCM NO.	DWG NO.
			A	60483	100-7576
			SCALE	N:S	SHEET 2 OF 4

DESCRIPTION

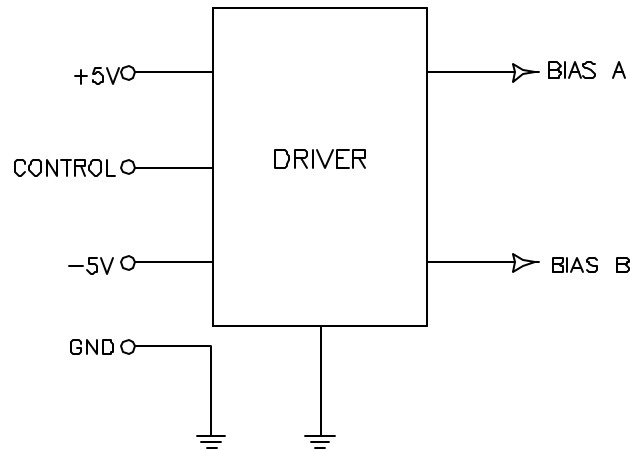
AMC MODEL SWN-AKG-1DR-12X-LVT IS A REFLECTIVE SINGLE POLE SINGLE THROW SWITCH WITH HIGH SPEED, VERY HIGH ISOLATION, LOW VIDEO TRANSIENTS DESIGNED TO OPERATE OVER THE FULL 0.5 TO 18 GHz FREQUENCY RANGE.

REVISIONS				
ZONE	REV.	DESCRIPTION	DATE	APPROVED
	-	ORIGINAL RELEASE JOB# 511263	1/8/08	

FUNCTIONAL BLOCK DIAGRAM



BLOCK DIAGRAM



AMERICAN MICROWAVE CORPORATION
 7311-G GROVE ROAD
 FREDERICK, MARYLAND 21704 USA
 TEL: 301-662-4700 FAX: 301-662-4938
 WEBSITE: www.americanmicrowavecorp.com
 E-MAIL: sales@americanmicrowavecorp.com
 ISO 9001:2000 CERTIFIED



APPROVALS		DATE	TITLE	
DRAWN <i>FDF</i>		1/8/08	FUNCTIONAL BLOCK DIAGRAM	
CHECKED			SWN-AKG-1DR-12X-LVT	
ISSUED			0.5-18 GHz, SINGLE POLE SINGLE THROW SWITCH	
SCALE	N:S	SIZE	FSCM NO.	DWG NO.
		A	60483	100-7576
			REV.	-
			SHEET	3 OF 4